

ELITE TOUCH-FREE ELECTRONIC LAVATORY FAUCET

SPECIFICATIONS

Touch-free electronic faucet for deck-mounted installations. Activated by Infrared sensor. Chrome plated body, other finishes available. Includes a low battery indicator. The Elite line has an Infrared sensor and a solenoid valve inside the body of the product for added vandal resistance. Adjustable settings by remote control: Sensor range, Security time, Delay In, Delay Out and On-Off. 24 hour mandatory hygiene flush can be provided upon request.

OPERATION

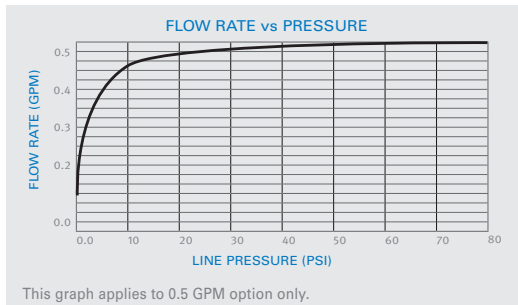
Touch-free electronic faucet operated by an infrared sensor. The faucet automatically activates when users place their hands within sensor range and stops when they remove them from the sensor range.

APPLICATION

Deck-mounted faucet combining an elegant design with anti-vandal features. Helps washrooms cleanliness, saves water and prevents cross contamination. Ideal for shopping malls, hotels, sport facilities, entertainment centers.

PRODUCT AT A GLANCE

Installation	Lavatory mounted
Power Supply	<ul style="list-style-type: none"> • 9V external battery box • IP67 Battery Box for 6 AA 1.5V alkaline batteries • 9V Transformer • IP 68 Encapsulated 9V transformer
Operating pressure	0.5-8.0 bar / 7.0-116.0 PSI
Water supply	Cold or premixed water
Water flow	6 LPM / 1.58 GPM - SSR PCA stream
Water Saving Options	1.3 LPM/0.35 GPM, 1.89 LPM/0.5 GPM, 3 LPM/0.8GPM, 4 LPM/1 GPM - PCA spray
Water temperature	70°C Maximum
Security Time	90 seconds. Adjustable by remote control

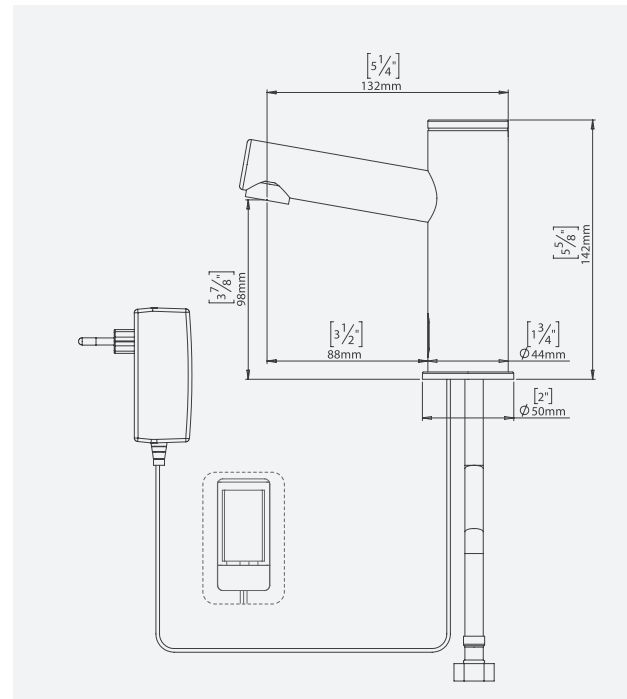


OPTIONS

OPTION	CODE
Remote control	07100005
Matching battery-powered soap dispenser	236110
Matching transformer-powered soap dispenser combination	236100

ORDERING INFORMATION

MODEL	CODE	POWER
ELITE B	236300	9V battery
ELITE E	236400	9V transformer



ADVANTAGES



APPROVALS



COMPLIES TO ASME A112.18.1 / CSA B125.1

777 Passaic Avenue
Clifton NJ, 07012
USA: sternusa@sternfaucets.com
International: info@sternfaucets.com
Toll Free: 1-800-4364410
www.sternfaucets.com